

## auto electrical parts

### Technical Information Sheet

#### Part No. 0-668-03

LED downlighter for recessed or surface mounting, 12/24 volt in white plastic with detachable surface mount bezel. Incorporates a switch in the lamp lens. 77mm dia. x 26mm.

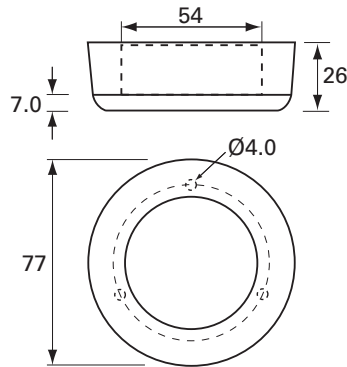
#### Additional information

Red wire +ve supply  
White wire -ve ground

Mounting bezel is removeable to allow recessed fitting.



#### Technical Drawing (not to scale)



#### Specification

Type	LED downlighter
Voltage	12/24 volt dc
Power	1.2 watt
LED	4 white LEDs
Light angle	40°
Lens	Plastic
Weight	60g
Dimensions	Ø77 x h 26mm
Compliance	CE, ECE, RoHS

The information contained in this document is correct to the best of our knowledge at the time of printing. However, specifications may change at any time without notice.